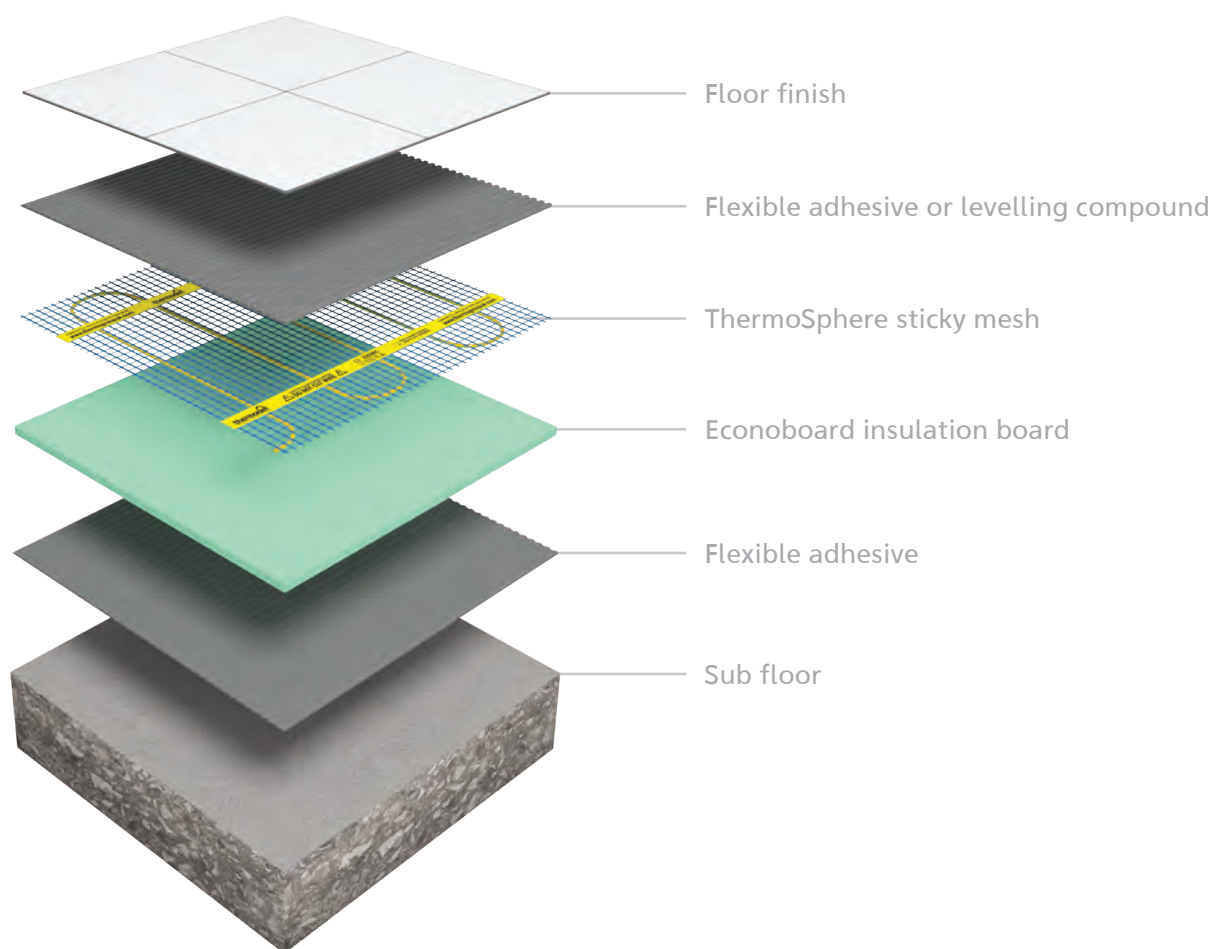


Our recommended solution

Concrete substrate with a tile finish

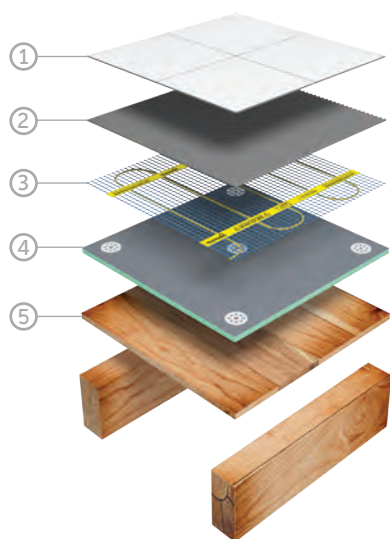
ThermoSphere sticky mesh is designed for installation under tiled floors. The heating cable is protected by the mesh and can be tiled over directly, or covered with an optional layer of self levelling compound.



Other floor build up solutions

Electric underfloor heating can be used in almost any type of floor specification from tiles to carpet or vinyl, even wet rooms.

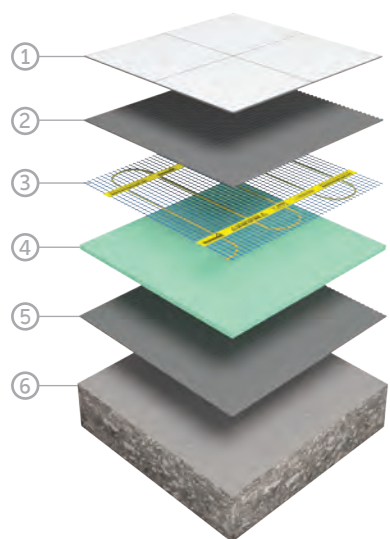
Tiled floor finish on a timber substrate



- ① Tiled floor finish
- ② Flexible tile adhesive*
- ③ Heating mat
- ④ Econoboard coated insulation
- ⑤ Timber substrate

*Optional self levelling compound prior to adhesive

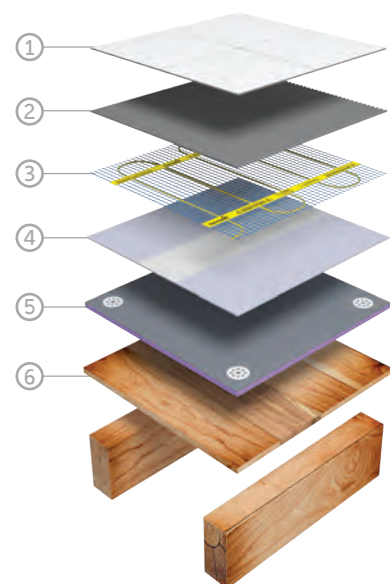
Tiled floor finish on a concrete substrate



- ① Tiled floor finish
- ② Flexible tile adhesive*
- ③ Heating mat
- ④ Econoboard uncoated insulation
- ⑤ Flexible tile adhesive
- ⑥ Prepared concrete substrate

*Optional self levelling compound prior to adhesive

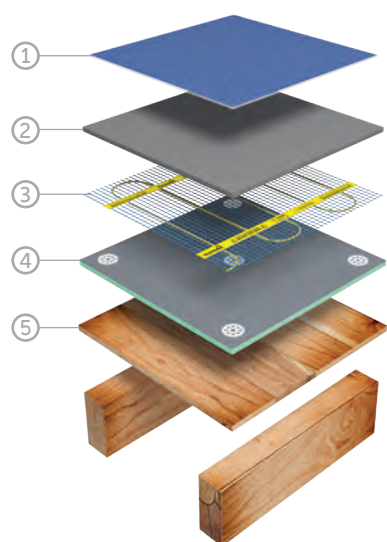
Tiled floor finish with a waterproof tanking layer



- ① Tiled floor finish
- ② Flexible tile adhesive*
- ③ Heating mat
- ④ Waterproof tanking system
- ⑤ Econoboard coated insulation
- ⑥ Timber substrate

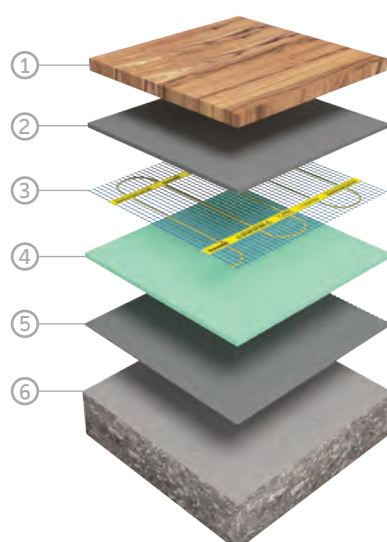
*Optional self levelling compound prior to adhesive

Vinyl floor finish with self levelling compound



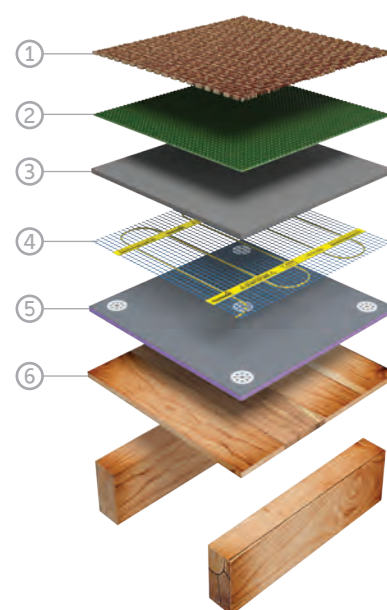
- ① Glued vinyl floor finish
- ② Flexible self levelling compound**
- ③ Heating mat
- ④ Econoboard coated insulation
- ⑤ Timber substrate

Engineered timber floor with levelling compound



- ① Engineered timber floor finish
- ② Flexible self levelling compound**
- ③ Heating mat
- ④ Econoboard uncoated insulation
- ⑤ Flexible tile adhesive
- ⑥ Prepared concrete substrate

Carpet and underlay on a timber substrate



- ① Carpet floor finish¹
- ② Low tog underlay¹
- ③ Flexible self levelling compound**
- ④ Heating mat
- ⑤ Econoboard coated insulation
- ⑥ Timber substrate

**Minimum recommended thickness of 10mm. Contact us for other suitable floor finish and build up information.

¹Max tog rating of carpet and underlay: 2.5 Tog.